

Intermot Hydraulic Motors IAM+ Series

H1 Models

IAM+ 100 – 150 – 175 H1

IAM+ 200 – 250 – 300 H1

INDEX

TECHNICAL DATA	Pag. 10
IAM+ 100 - 150 - 175 H1	Pag. 11
IAM+ 200 - 250 - 300 H1	Pag. 12
GRAPHIC PERFORMANCES	Pag. 13
ORDERING INSTRUCTIONS	Pag. 18

IAM+ H1

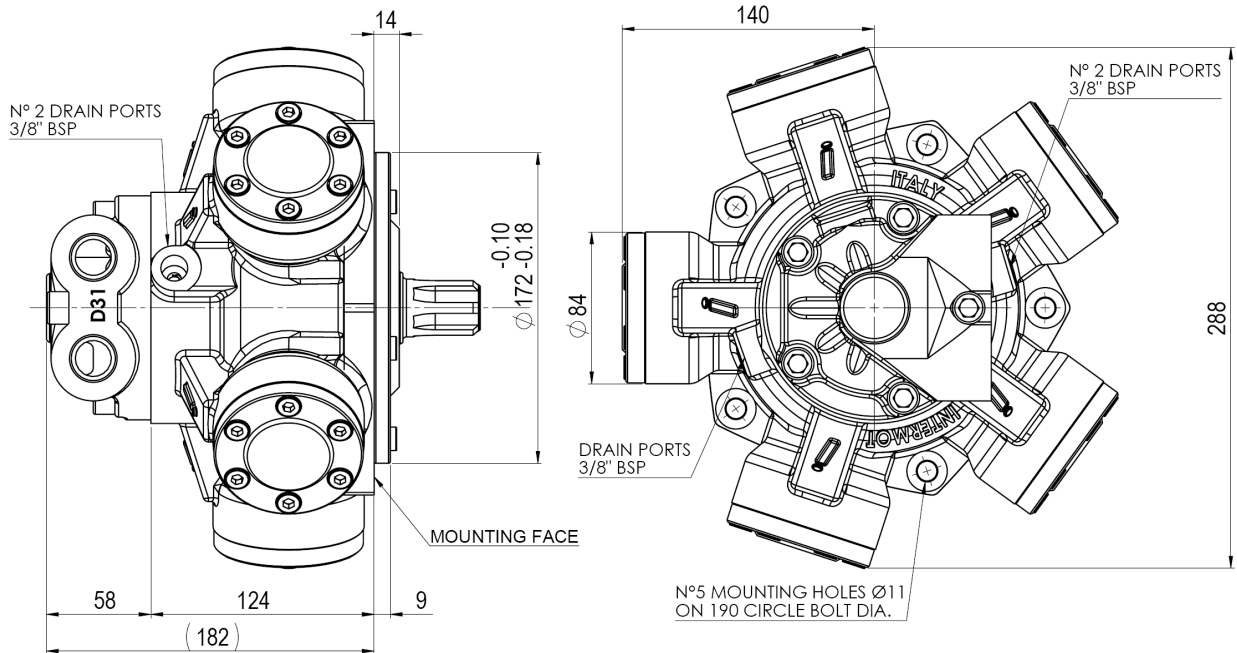
Technical data

MODEL		N° of pistons	Displacement	Specific Torque	Pressure			Speed		Max Power		Dry Mass	Max case pressure	Max back pressure	Temperature range	Minimum speed	Inertia moment of rotating parts
					Max Cont.	Max Int.	Peak	Max Cont.	Peak								
					cm ³ /rev	Nm/bar	bar										
IAM+ H1	100	5	99	1.6	300	350	400	950	1050	64	48	26	6	70	-30 ÷ +70	2 ÷ 3	18
	150		159	2.5	300	350	400	950	1050	64	48						
	175		175	2.8	300	350	400	950	1050	64	48						
	200		207	3.3	300	350	400	750	850	64	48						
	250		251	4.0	300	350	400	750	850	64	48						
	300		299	4.8	300	350	400	750	850	64	48						

IAM+ H1

Dimensional drawings

IAM+ 100 – 150 – 175 H1

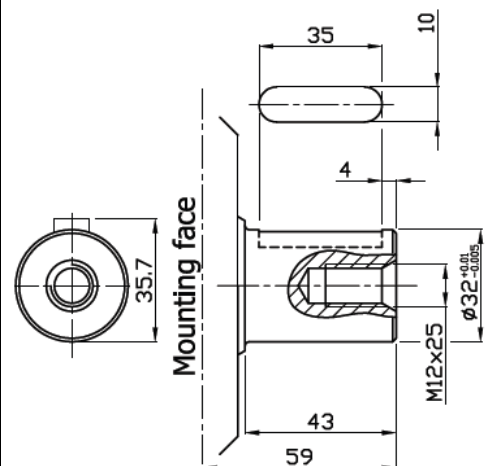
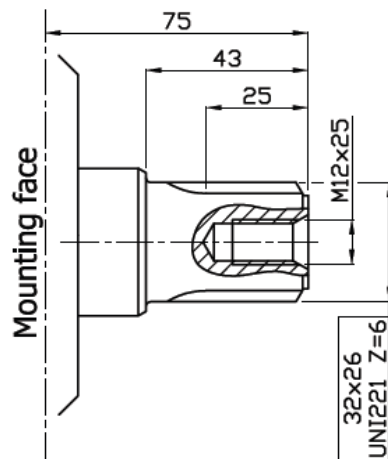
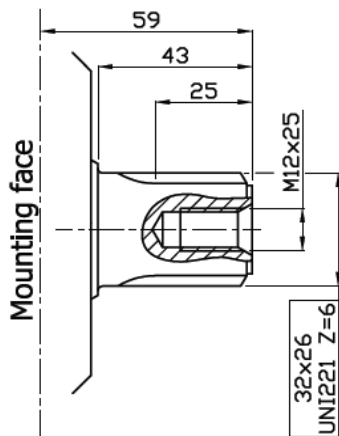


SHAFTS

A0: Standard splined shaft

A1: Splined shaft on request

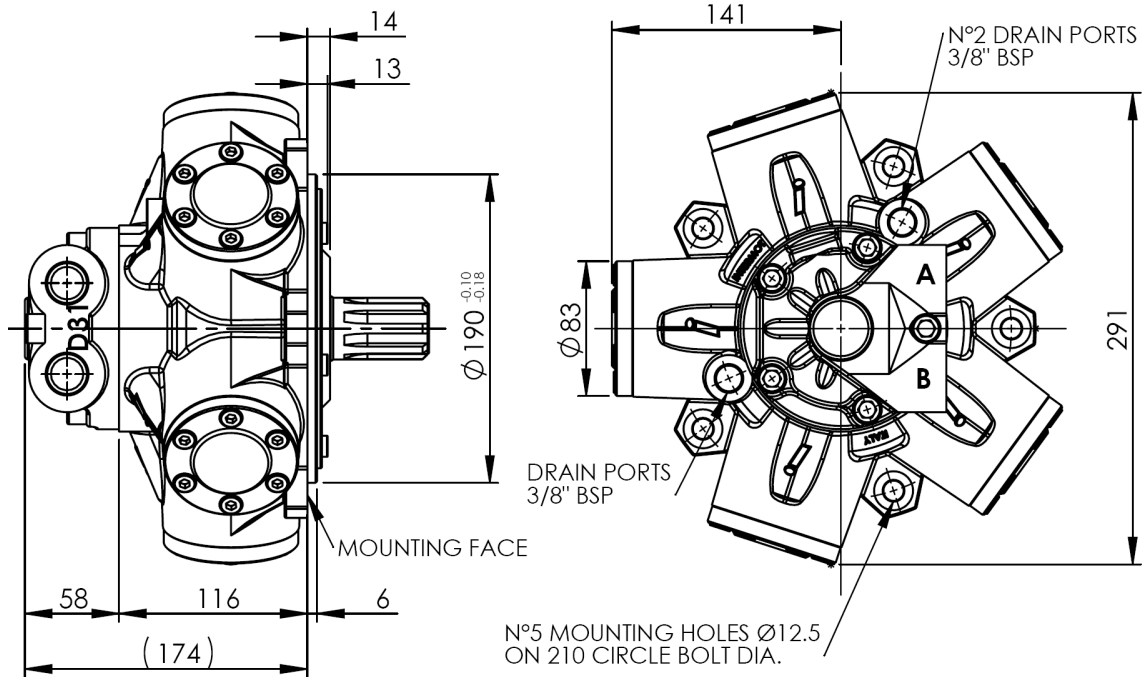
A2: Parallel shaft on request



IAM+ H1

Dimensional drawings

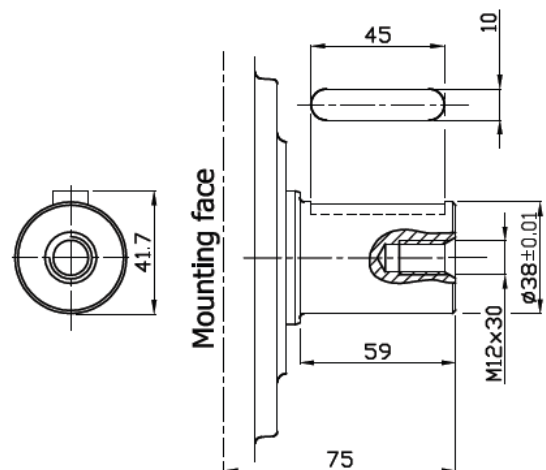
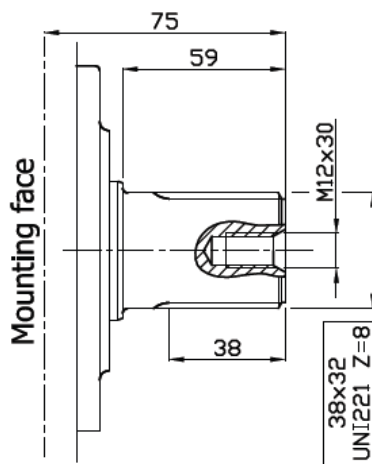
IAM+ 200 – 250 – 300 H1



SHAFTS

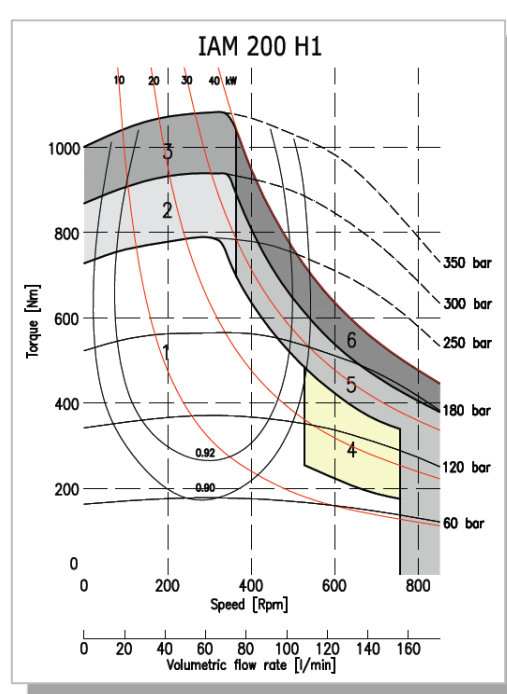
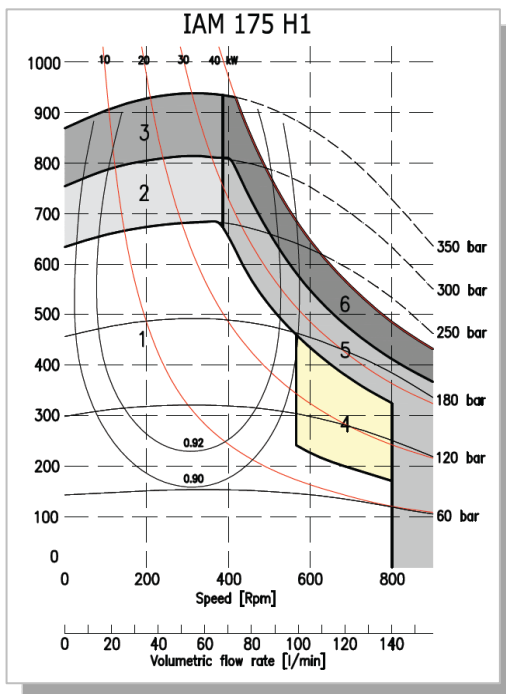
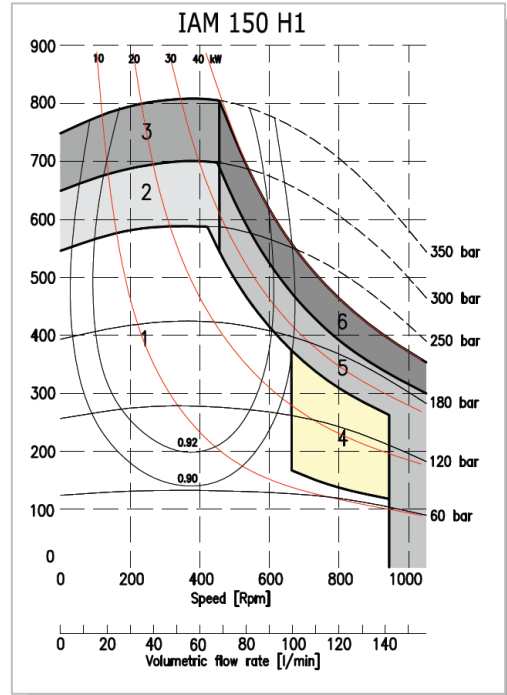
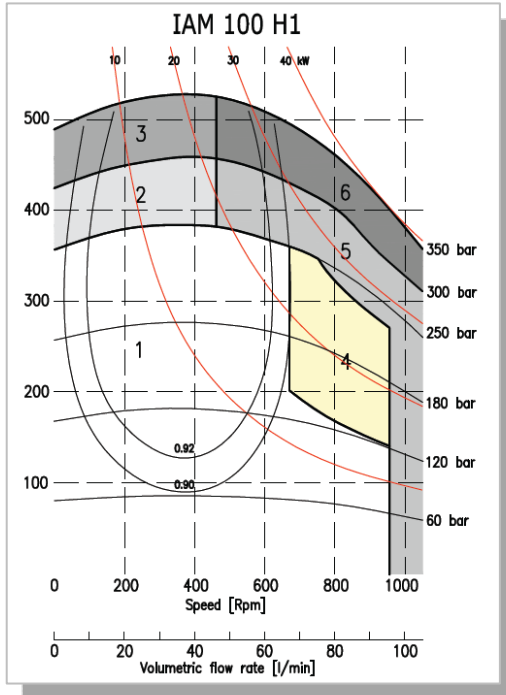
A0: Standard splined shaft

A2: Parallel shaft on request



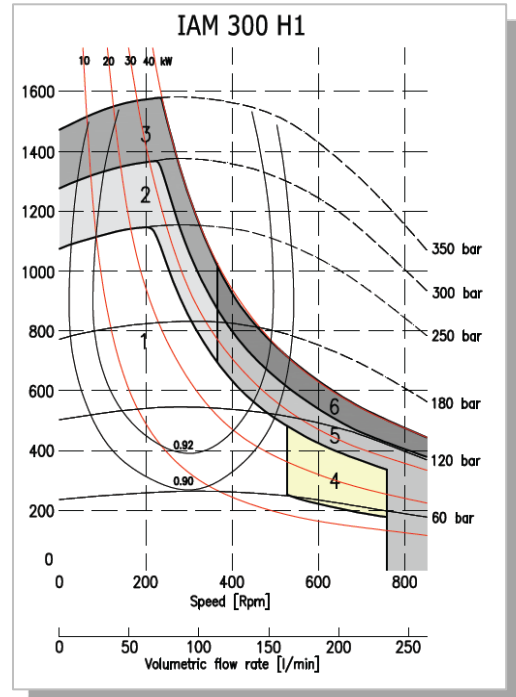
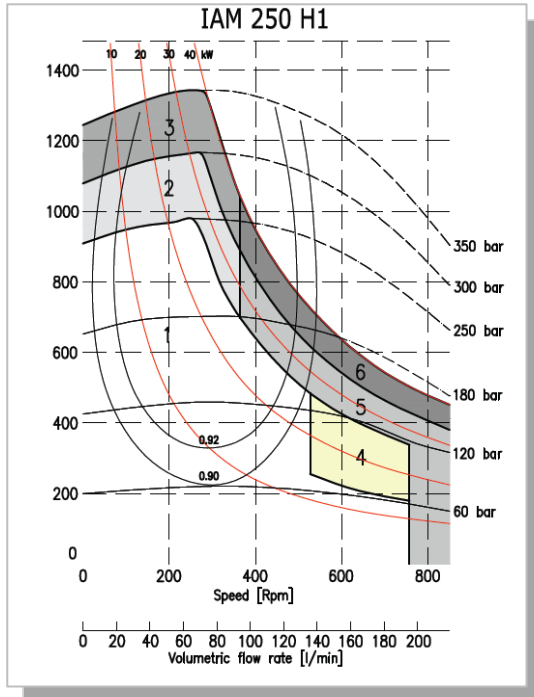
IAM+ H1

Power charts



IAM+ H1

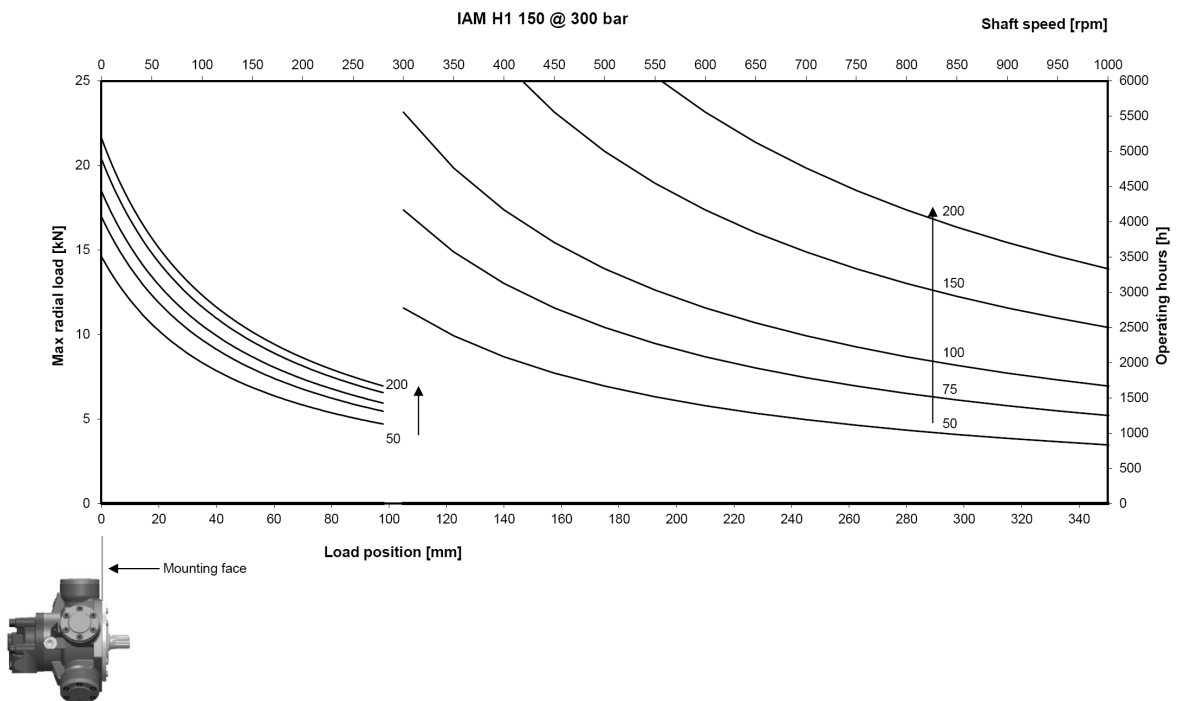
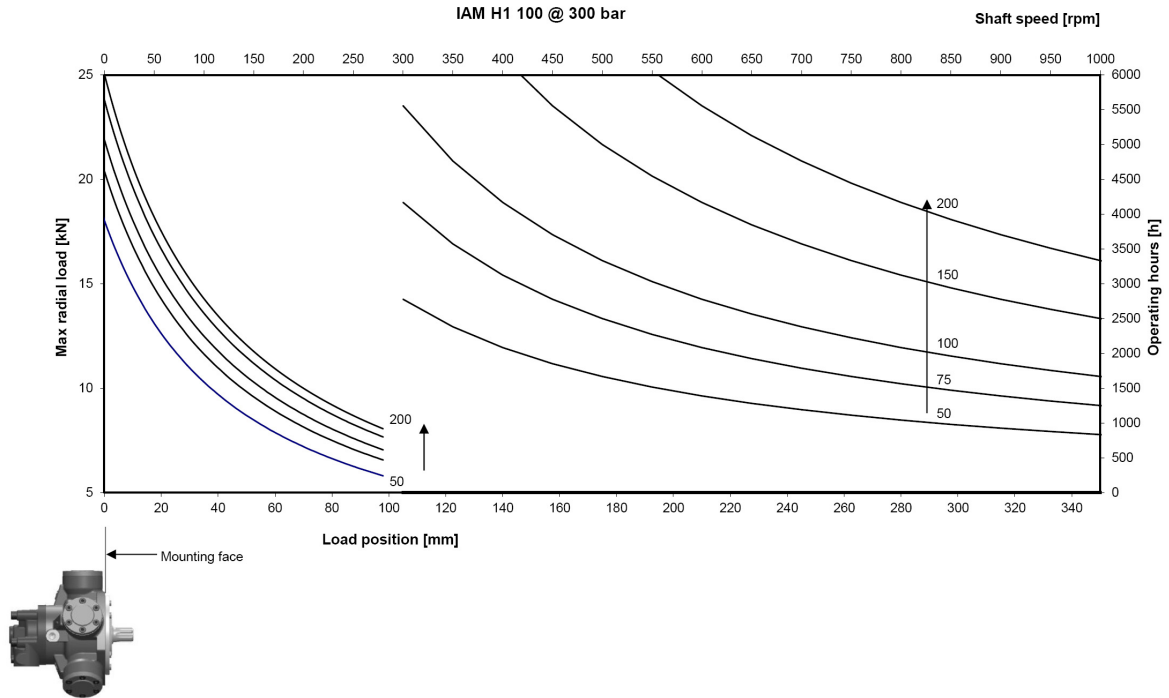
Power charts



1	Continuous operation	4	Continuous operation with flushing
2	Intermittent operation for period 3-5 minutes every 10-15 minutes	5	Intermittent operation for period 3-5 minutes every 10-15 minutes with flushing
3	Intermittent operation for very short period (3-5 seconds every 10-15 minutes)	6	Intermittent operation for very short period (3-5 seconds every 10-15 minutes) with flushing

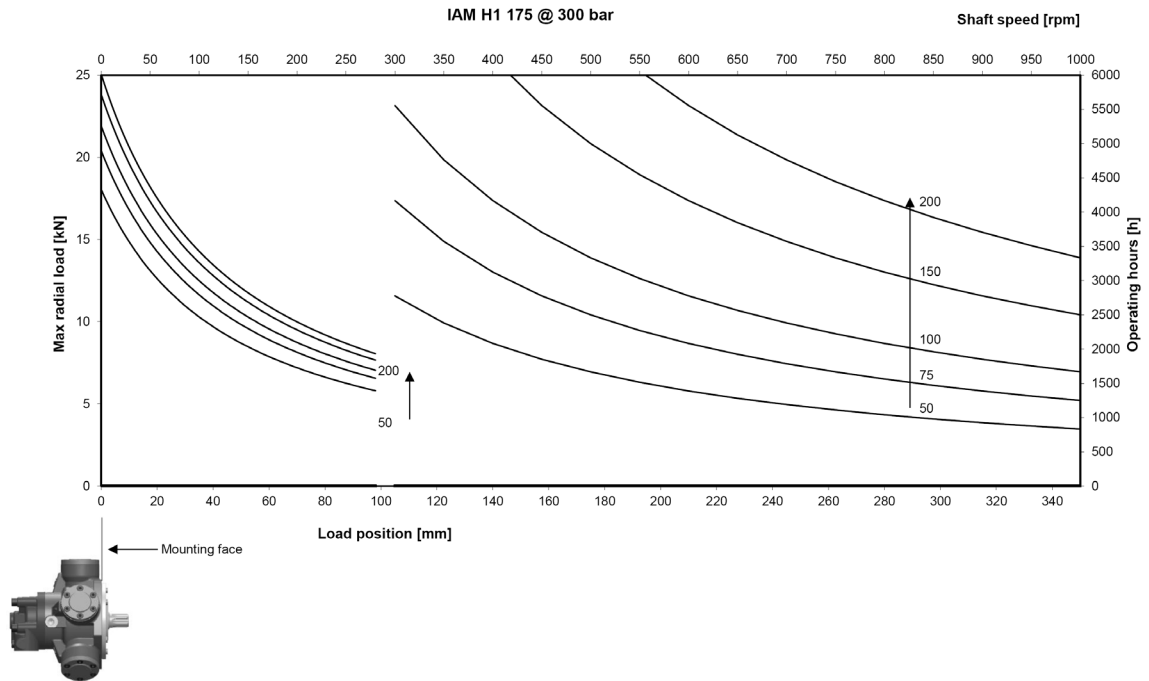
IAM+ H1

Side load charts



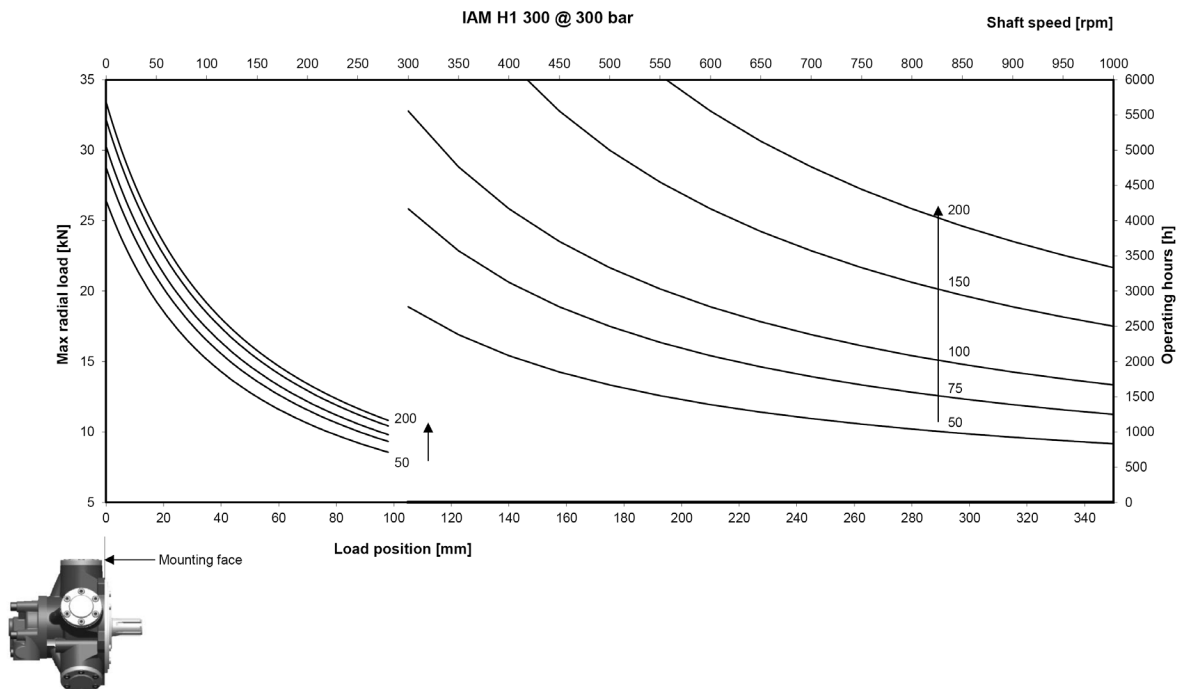
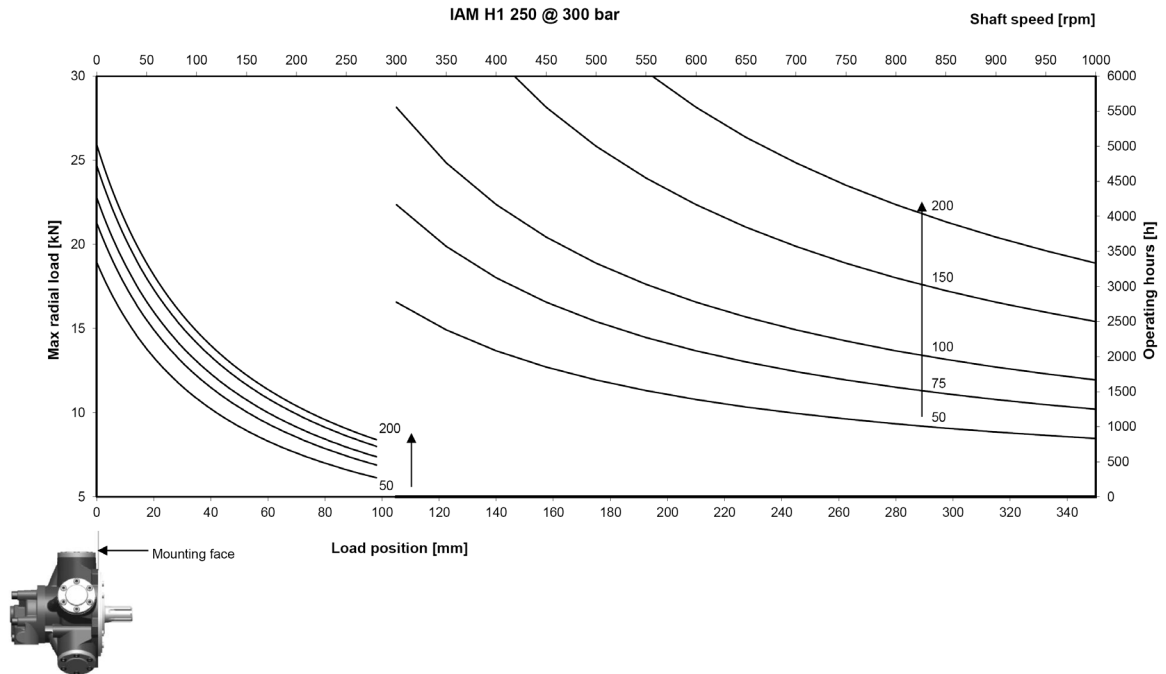
IAM+ H1

Side load charts



IAM+ H1

Side load charts



IAM+ H1

Ordering instructions

IAM+	---	H1	A _	D __	--	SB _
Model						
Displacement						
100 cc/rev						
150 cc/rev						
175 cc/rev						
200 cc/rev						
250 cc/rev						
300 cc/rev						
Housing						
H1						
Shaft						
A0 – Standard splined shaft						
A1 – Special splined shaft						
A2 – Parallel keyed shaft						
Distributor						
D31 – ¾" BSP						
D310 – 1" BSP						
D40 – 1" BSP						
D47 – SAE 1" 3000 psi flange						
Tachometer						
K						
TA						
TB						
EST						
Spline billet						
SB1 – 26 UNI 221						
SB2 – 32 UNI 221						

EXAMPLE : IAM+ 200 H1 A0 D31

IAM+ 100 H1 A0 D31 K SB1